

BILL OF MATERIALS

NO.	PART NAME	MATERIAL	QTY	NOTES
1	BODY	ASTM A4874C (60K)	1	EQUIV: ZG30CrMo
2	SEAT	AISI 410+QPQ NITRIDING	2	-
3	SEAL RING	RPTFE	4	-
4	GATE BODY	AISI 410+QPQ NITRIDING	1	-
5	GATE SEGMENT	AISI 410+QPQ NITRIDING	1	-
6	GUIDE	STAINLESS STEEL	2	-
7	STEM	17-4PH+NITRIDING	1	-
8	BONNET	AISI 4130	1	-
9	STUD	ASTM A320 L7M	8	-
10	NUT	ASTM A194 2HM	8	-
11	BONNET RING	316SS	1	-
12	LOWER PACKING	PTFE	1	CHEVRON STYLE
13	MIDDLE PACKING	PTFE	3	CHEVRON STYLE
14	UPPER PACKING	PTFE	1	CHEVRON STYLE
15	PACKING GLAND	CARBON STEEL	1	ZINC PLATED
16	BEARING SPACER SLEEVE	CARBON STEEL	1	ZINC PLATED
17	BEARING	BEARING STEEL	2	-
18	GLAND NUT	CARBON STEEL	1	ZINC PLATED
19	RETAINER LOCKNUT	CARBON STEEL	1	ZINC PLATED
20	HAND WHEEL	DUCTILE IRON	1	-
21	WASHER	CARBON STEEL	1	ZINC PLATED
22	NUT	ASTM A194 2HM	1	-
23	PIN	STAINLESS STEEL	6	-
24	SPRING	INCONEL X750	2	-
25	GREASE FITTING	STAINLESS STEEL	1	-
26	INJECTION VALVE	STAINLESS STEEL	1	STEM PACKING
27	GREASE INJECTION	STAINLESS STEEL	2	-
28	NAMEPLATE	STAINLESS STEEL	1	-
29	RIVET	STAINLESS STEEL	4	-

RATING	5000 PSI	TEST PRESSURE	
DESIGN & MFG.	API6A PERFORMANCE LEVEL - PR1	SHELL HYDRO	SEAT HYDRO
PRESS-TEMP RATING	API6A CLASS 'L TO V'	51.81 Mpa 7500 Psi	34.4 Mpa 5000 Psi
FACE TO FACE DIM.	API6A	SEATAIR	BACKSEAT
END CONNECTION	FLANGED RTJ RX46	Mpa Psi	Mpa Psi
END DIMENSION	API6A	TEMPERATURE	
TEST & INSPECTION	API6A & ISO 10423	'L TO V'	-46~121°C
MARKING	API6A	MEDIUM	Oil, Gas
OTHER REQ.	NACE MR-01-75		
PORT SIZE	FULL 7 1/16"		
SERVICE	H2S MATERIAL CLASS EE -0.5 PRODUCT SPECIFICATION LEVEL PSL2		
NOTES	PAINT SPEC PP/NE/API RED RAL3020		
OTHER	DYE PENETRANT TEST ON STEM AND MPI TEST ON BODY & BONNET		

DIMENSIONS (MM) & WEIGHT (KG)

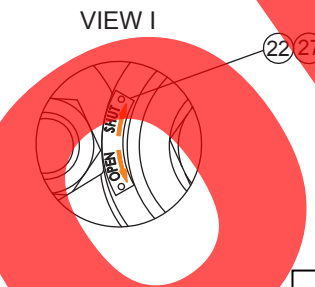
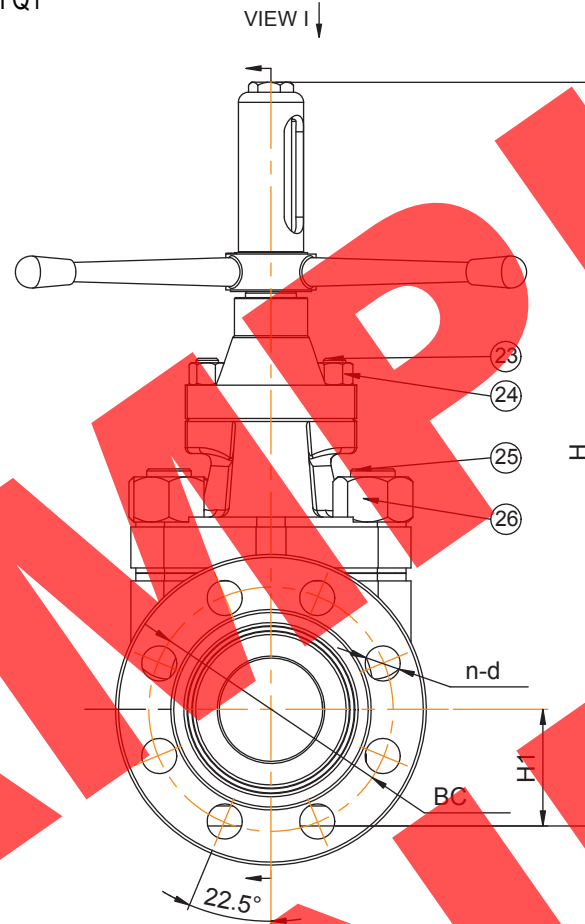
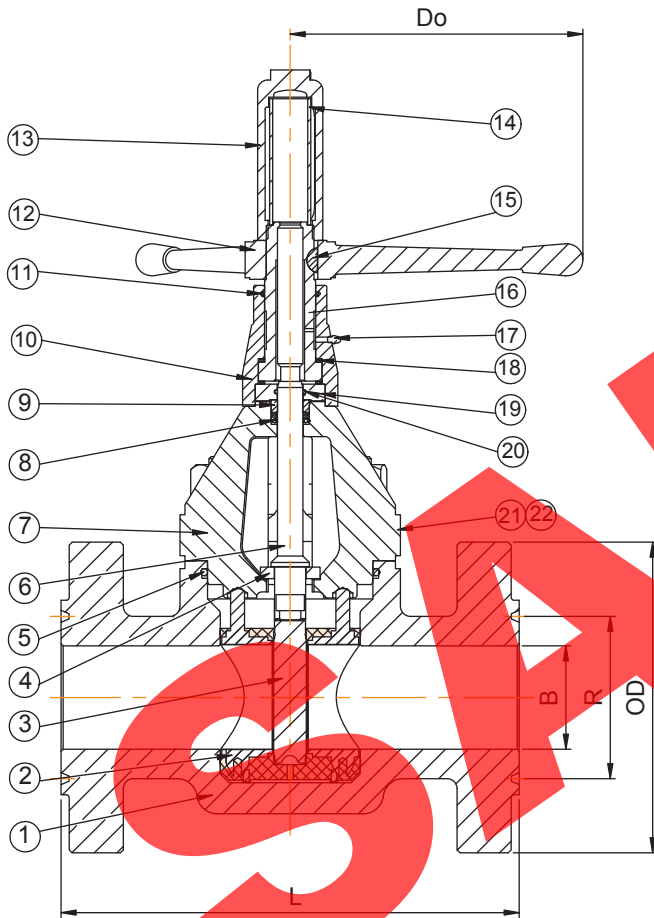
Inch	DN	L	B	OD	T	BC	n-d	R	W	H	H1	Weight
7 1/16"x5M	179	813	179.4	395	92.1	317.5	12-39	RX46	760	1185	355	650

Dimensions in millimeters

Expanding Gate Valve, Flanged Ends, Type 'M' 7 1/16" 5000 PSI Full Port, Full Through Conduit Australian Pipeline Valve	ORDER N°/ DWG N°	XXXXXX-99	APPROVED	B.T.
	REV.	00	CHECKED	S.Q.
			DRAWN	C.C.

BILL OF MATERIALS

NO.	PART NAME	MATERIAL	QTY	NOTES
1	BODY	ASTM A4874C(60K)	1	EQUIV: ZG30CrMo
2	SEAT	CA15/AISI 410+VITON	1	-
3	GATE	AISI 410+NITRIDING	1	-
4	BOTTOM STOP RING	LOW ALLOY STEEL	1	-
5	O-RING	VITON	1	-
6	STEM	AISI 410+NITRIDING	1	-
7	BONNET	ZG30CrMo	1	-
8	PACKING	VITON	1	-
9	PACKING GASKET	LOW ALLOY STEEL	1	-
10	YOKE	ZG30CrMo	1	-
11	O-RING	VITON	1	-
12	HANDWHEEL	DUCTILE IRON	1	-
13	COVER NUT	CARBON STEEL	1	-
14	COVER	PMMA	1	-
15	KEY	CARBON STEEL	1	-
16	STEM NUT	LOW ALLOY STEEL	1	-
17	GREASE FITTING	STAINLESS STEEL	1	-
18	RETAINER	PTFE	2	-
19	GLAND PLATE	LOW ALLOY STEEL	1	-
20	O-RING	VITON	1	-
21	NAMEPLATE	STAINLESS STEEL	1	-
22	RIVET	STAINLESS STEEL	6	-
23	STUD	ASTM A193 B7M	2	-
24	NUT	ASTM A194 2HM	2	-
25	STUD	ASTM A193 B7M	4	-
26	NUT	ASTM A194 2HM	4	-
27	INDICATOR	STAINLESS STEEL	1	-



RATING	5000 PSI	TEST PRESSURE	
DESIGN & MFG.	API6A PERFORMANCE LEVEL - PR1	SHELL HYDRO	SEAT HYDRO
PRESS-TEMP RATING	API6A CLASS 'P TO X'	51.8 Mpa	7500 Psi
FACE TO FACE DIM.	API6A	SEATAIR	BACKSEAT
END CONNECTION	FLANGED RTJ RX39	Mpa	Psi
END DIMENSION	API6A	TEMPERATURE	
TEST & INSPECTION	API6A & ISO 10423	'P TO X'	-29~177°C
MARKING	API6A	MEDIUM	Mud, Oil, Gas
OTHER REQ.	NACE MR-01-75		
PORT SIZE	FULL 4 1/16"		
SERVICE	H2S MATERIAL CLASS 'DD' -NL PRODUCT SERVICE LEVEL PSL2		
NOTES	PAINT SPEC TO PP/NE/API GREEN RAL6000		
OTHER	DYE PENETRANT TEST ON STEM AND MPI TEST ON BODY & BONNET		

DIMENSIONS (MM) & WEIGHT (KG)

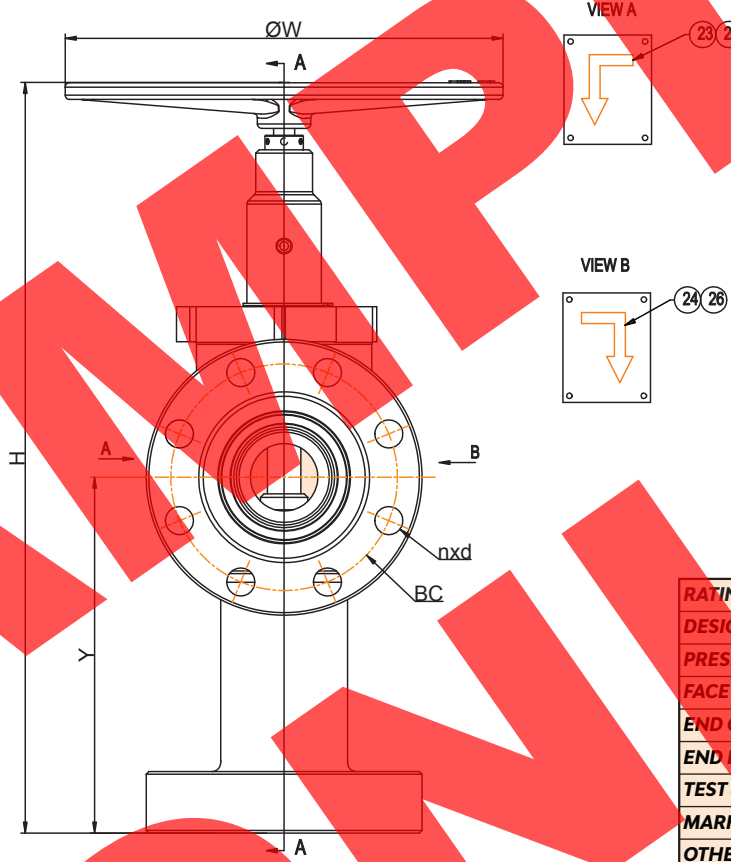
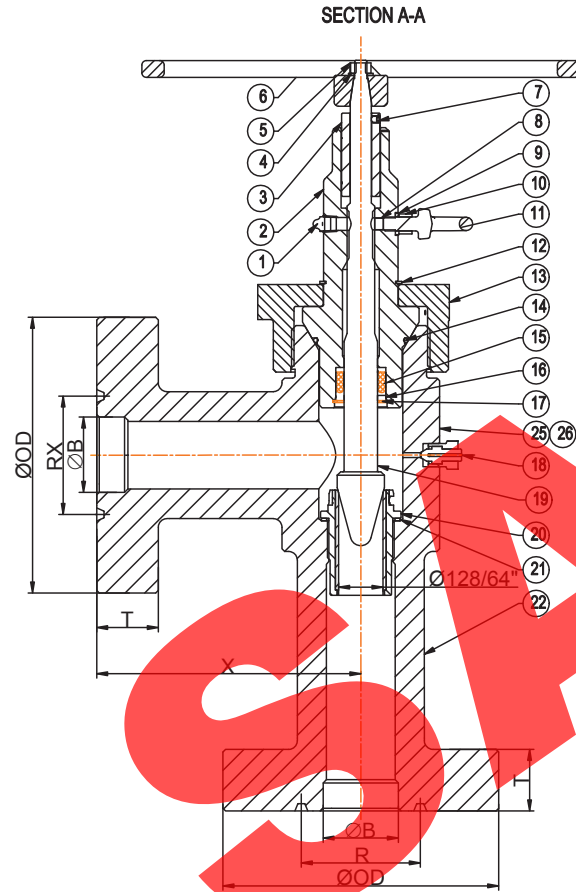
Inch	DN	L	B	OD	BC	n-d	R	Do	H	H1	Weight
4 1/16"x5M	100	457	103.2	310	241.3	8-35	RX39	292	745	116	170

Dimensions in millimeters

Mud Gate Valve, 4 1/16" 5000 PSI Flanged	ORDER N°/ DWG N°	XXXXXX-99	APPROVED	B.T.
Australian Pipeline Valve	REV.	00	CHECKED	S.Q.
			DRAWN	C.C.

BILL OF MATERIALS

NO.	PART NAME	MATERIAL	QTY	NOTES
1	GREASE FITTING	STAINLESS STEEL	1	-
2	BONNET	AISI 4130	1	-
3	INDICATOR TRAY	STAINLESS STEEL	1	-
4	WASHER	CARBON STEEL	1	-
5	NUT	CARBON STEEL	1	-
6	HANDWHEEL	DUCTILE IRON	1	-
7	SCREW	STAINLESS STEEL	3	-
8	ANTI-ROTATING PLUG	BRASS	1	-
9	WASHER	SPRING STEEL	1	-
10	NUT	ASTM A194 2H	1	-
11	SCREW	CARBON STEEL	1	-
12	RETAINER WASHER	SPRING STEEL	1	-
13	UNION NUT	AISI 4130	1	-
14	O-RING	HNBR	1	-
15	PACKING	PTFE+HNBR	1	-
16	PACKING WASHER	STAINLESS STEEL	1	-
17	RETAINER WASHER	SPRING STEEL	1	-
18	PLUG	AISI 4130+STAINLESS STEEL	1	-
19	STEM ASSY	17-4PH+TUNGSTEN CARBIDE	1	-
20	BEAN ASSY	AISI 4140+TUNGSTEN CARBIDE	1	-
21	SEALING RING	STAINLESS STEEL	1	-
22	BODY	AISI 4130 (60K)	1	-
23	ARROW HEAD-LH	STAINLESS STEEL	1	-
24	ARROW HEAD	STAINLESS STEEL	1	-
25	NAMEPLATE	STAINLESS STEEL	1	-
26	RIVET	STAINLESS STEEL	12	-



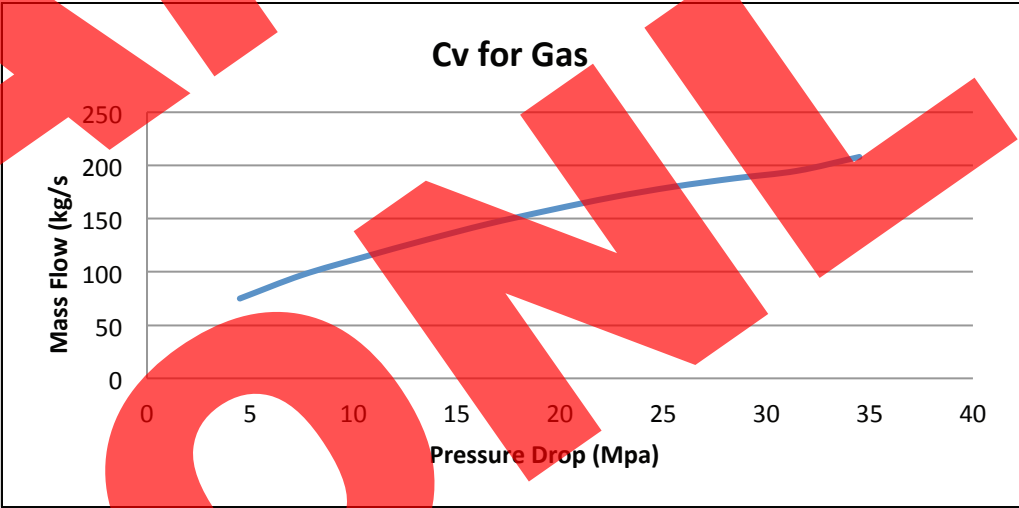
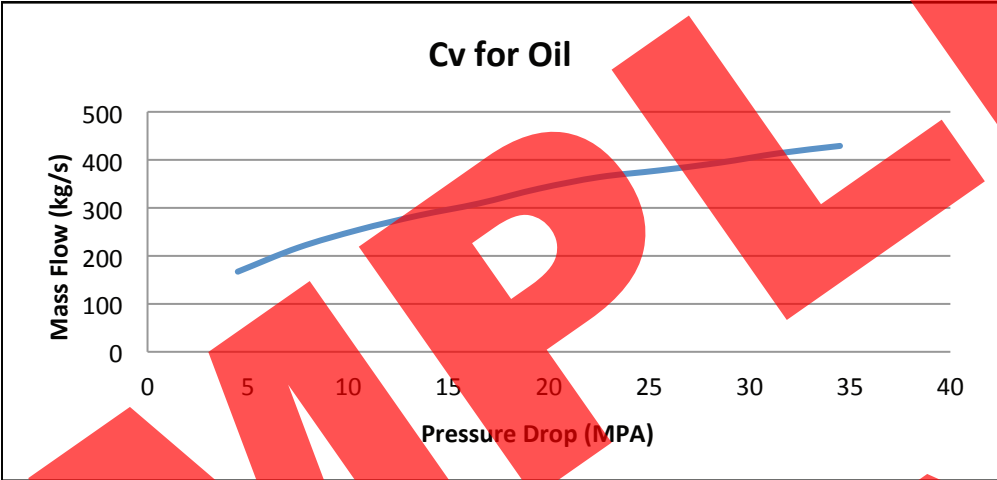
RATING	5000 PSI	TEST PRESSURE	
DESIGN & MFG.	API6A PERFORMANCE LEVEL - PR1	SHELL HYDRO	SEAT HYDRO
PRESS-TEMP RATING	API6A CLASS 'L TO V'	51.8 Mpa	7500 Psi
FACE TO FACE DIM.	API6A	SEATAIR	BACKSEAT
END CONNECTION	FLANGED RTJ RX35	Mpa	Psi
END DIMENSION	API6A	TEMPERATURE	
TEST & INSPECTION	API6A & ISO 10423	'L TO V'	-46~121°C
MARKING	API6A	MEDIUM	Oil, Gas
OTHER REQ.	NACE MR-01-75		
PORT SIZE	FULL		
SERVICE	H2S MATERIAL CLASS 'EE' -0.5 PRODUCT SPECIFICATION LEVEL PSL2		
NOTES	PAINT SPEC AP/NE/API RED RAL3000		
OTHER	DYE PENETRANT TEST ON STEM AND MPI TEST ON BODY & BONNET		

DIMENSIONS (MM) & WEIGHT (KG)

Inch	DN	ØD	B	T	BC	nxd	R	X	Y	W	H	Weight
3 1/18"x5M	80	265	79.4	55.5	203.2	8x32	RX35	263.5	295.3	400	750	125

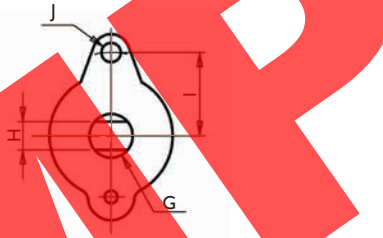
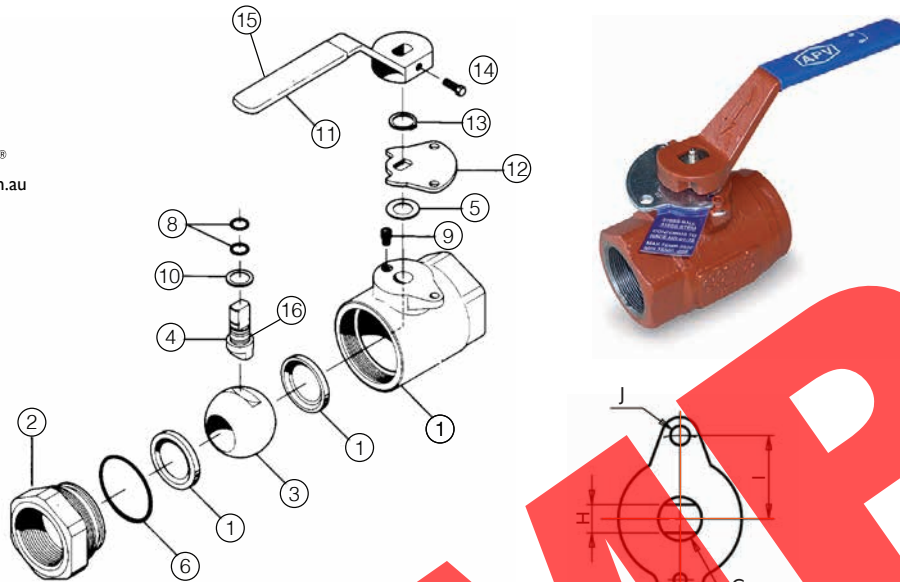
Dimensions in millimeters

Adjustable Choke Valve Model H2 3 1/18" 5000 PSI	ORDER N°/ DWG N°	XXXXXX-99	APPROVED	B.T.
	REV.	00	CHECKED	S.Q.
Australian Pipeline Valve			DRAWN	C.C.

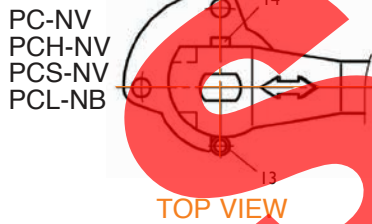




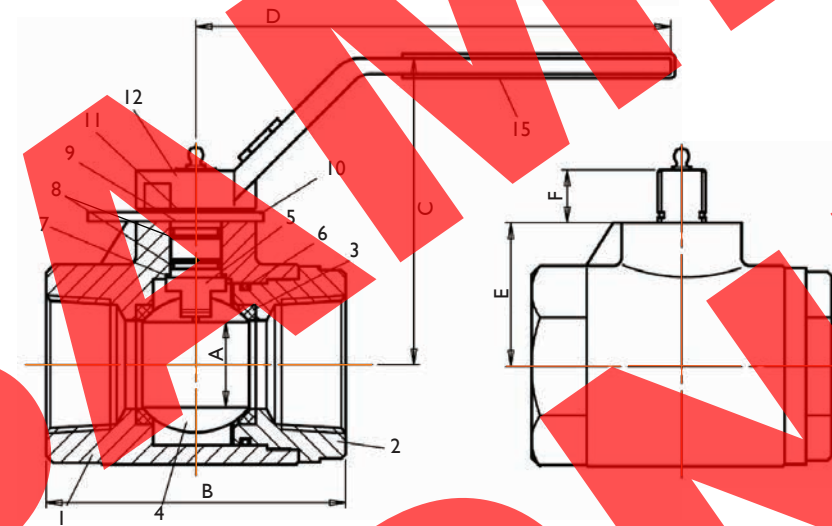
AUSTRALIAN PIPELINE VALVE®
www.australianpipelinevalve.com.au



END VIEW



TOP VIEW



BILL OF MATERIALS

NO.	PART NAME	MATERIAL			QTY
		PC-NV	PCH-NV	PCL-NB	
1	BODY	ASTM A216 WCB/A105	ASTM A351 CF8M	ASTM A352 LCC	1
2	END CAPS	ASTM A216 WCB/A105	ASTM A351 CF8M	ASTM A352 LCC	1
3	BALL	ASTM A276 316/304	ASTM A276 316	ASTM A276 316	1
4	STEM	ASTM A276 316	ASTM A276 316	ASTM A276 316	1
5	STEM BEARING	NYLON MOS2	NYLON MOS2	NYLON MOS2	1
6	BODY O-RING	VITON/NBR	VITON	NBR	1
7	SEATS	NYLON MOS2	NYLON MOS2	NYLON MOS2	2
8	STEM O-RINGS	VITON/NBR	VITON	NBR	2
9	STOP SCREW	STEEL	STEEL	STEEL	1
10	THRUST BEARING	PTFE	PTFE	PTFE	1
11	HANDLE	ASTM A216 WCB	ASTM A216 WCB	ASTM A216 WCB	1
12	STOP PLATE	STEEL	STEEL	STEEL	1
13	SNAG RING	STEEL	STEEL	STEEL	1
14	HANDLE BOLT	STEEL	STEEL	STEEL	1
15	PLASTIC COVER	VINYL	VINYL	VINYL	1
16	GASKET	PTFE	PTFE	PTFE	1
17	GREASE FITTING	BRASS+ZP	BRASS+ZP	BRASS+ZP	1

RATING	2160~3000 PSI CWP	TEST PRESSURE	
DESIGN & MFG.	ASME B16.34 & API608 & EN12516-1	SHELL HYDRO	SEAT HYDRO
PRESS-TEMP RATING	ASME B16.34	Mpa Psi	Mpa Psi
FACE TO FACE DIM.	AS SHOWN	SEAT AIR	BACKSEAT
END CONNECTION	NPT/LP	0.55 Mpa 80 Psi	Mpa Psi
END DIMENSION	ANSI B1.20.1	TEMPERATURE	
TEST & INSPECTION	API598/ ISO 5208-A/API6A	-29 TO 121 °C	-20 TO 250 °F
MARKING & PAINT	MSS SP-55	MEDIUM	Water, Oil, Gas
OTHER REQ.	NACE MR-01-75		
PORT SIZE	REFER TABLE		
TRIM	316SS NACE TRIM		
NOTES	FIRESAFE DESIGN		
OTHER	ANTI STATIC BS5351 & ISO 17292-2015		
SPECIAL			

DIMENSIONS (MM) & WEIGHT (KG)

Code	Inch	A (NB)	B	C	D	E	F	G	H	I	J
2A	1"x1"	25.4	101.6	79.7	160	43.3	19.9	15.88	9.5	30.5	10.5
2K	1-1/2"x1-1/2"	38.1	139.7	140.8	216	66.5	26.1	22.2	14.3	43.0	10.5
2B	2"x1-1/2"	38.1	139.7	140.8	216	66.5	26.1	22.2	14.3	43.0	10.5
2C (RED)	2"x2"	50.8	152.4	152.1	216	77.8	26.0	22.2	14.3	43.0	10.5
2C (BROWN)	2"x2"	50.8	160.0	150.7	216	77.8	26.0	22.2	14.3	43.0	10.5
2D	3"x2"	50.8	209.4	152.1	216	77.8	26.0	22.2	14.3	43.0	10.5
2L	2-1/2"x2-1/2"	65.0	177.8	167.5	381	93.0	25.4	22.2	14.3	54.0	10.5
2E	3"x3	76.2	222.3	1.75	381	101.6	34.9	31.7	15.8	54.0	10.5
2F	4"x3"	76.2	222.3	1.75	381	101.6	34.9	31.7	15.8	54.0	10.5
2M	4"x4"	103.5	238.2	200.5	460	125.0	34.3	34.8	18.9	54.0	10.5

Dimensions in millimeters

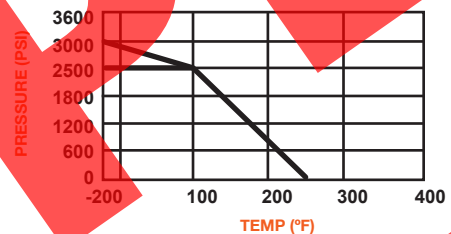
Ball Valve, 2PC Model FS660-KF, NPS 1~4" (DN25~DN100) 2160psi~3000psi, NPT, Lever Operated,	ORDER No/ DWG No	XXXXXX-99	APPROVED	B.T.
	REV.	00	CHECKED	S.Q.
Australian Pipeline Valve			DRAWN	C.C.



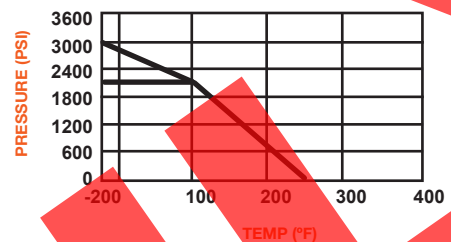
PRESSURE RATINGS

Material		WCB		LCC	SS
Colour Code		Red	Brown	Black	-
Code	Inch	PC-NV	PCH-NV	PCL-NB	PCS-NV
2A	1" x 1"	2500	3000	2500	-
2K	1-1/2" x 1-1/2"	2500	-	-	-
2B	2" x 1-1/2"	2500	3000	2500	3000
2C	2" x 2"	2160	3000	2160	3000
2D	3" x 2"	2160	-	2160	-
2L	2-1/2" x 2-1/2"	2160	-	-	-
2E	3" x 3"	1500	-	1500	-
2F	4" x 3"	1500	-	1500	-
2M	4" x 4"	750	-	-	-

2A/2K/2B



2C/2D/2L/2E



2F/2M

